

Model 972AI - 1/4", Model 972AI Rabos de Puerco



1/4" NPT Both End
Black Iron Pipe
300 WSP Max.
90° Pattern

Specifications

Size	1/4 in
Valve Type	Siphon
Pressure Class	300 WSP
End Connection	Threaded
Application	Steam
UL Listed	No
FM Approved	No
MEA Approved	No
MSS Compliant	No
Canadian Registration	No
Pressing Machine Part	No

Model 972B - 1/4", Model 972B Rabos de Puerco



1/4" NPT Both Ends

Brass Pipe

200 WSP Max.

180° Pattern

Contains lead. Not for use in water systems intended for human consumption

Specifications

Size	1/4 in
Valve Type	Siphon
Pressure Class	200 WSP
End Connection	Threaded
Application	Steam
UL Listed	No
FM Approved	No
MEA Approved	No
MSS Compliant	No
Canadian Registration	No
Pressing Machine Part	No

Model 972I - 1/4", Model 972I Rabos de Puerco



1/4" NPT Both End
Black Iron Pipe
300 WSP Max.
180° Pattern

Specifications

Size	1/4 in
Valve Type	Siphon
Pressure Class	300 WSP
End Connection	Threaded
Application	Steam
UL Listed	No
FM Approved	No
MEA Approved	No
MSS Compliant	No
Canadian Registration	No
Pressing Machine Part	No

Item # Model 3050 - 1/2" and 3/4,

Max Inlet Water Pressure 50PSI
Bronze Body

Brass Piston
EPDM Disc & O-Ring

Contains lead. Not for use in water systems intended for human consumption



[Specifications](#) · [Material List](#)

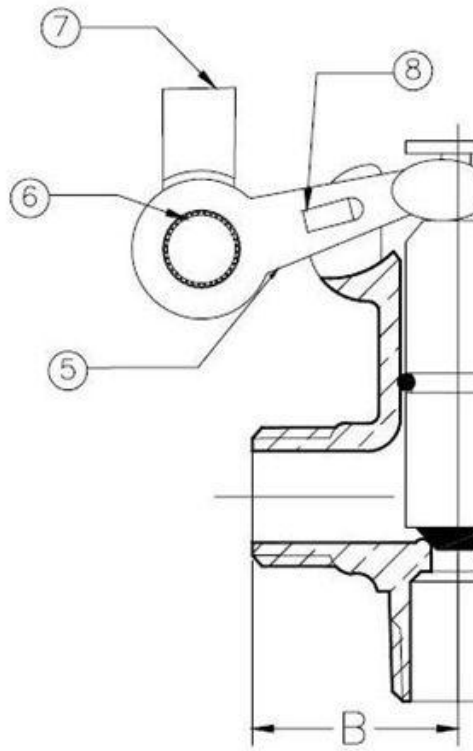
Specifications

Size	1/2 in and 3/4
A - Height	3.40 in
B - Length	1.40 in
Ship Weight	0.69 lb
Quantity per Carton	12
Valve Type	Float Valve
Pressure Class	50 WOG
End Connection	Threaded
Application	Water
UL Listed	No
FM Approved	No
MEA Approved	No
MSS Compliant	No
Canadian Registration	No
Pressing Machine Part	No

Material List

MATERIAL LIST

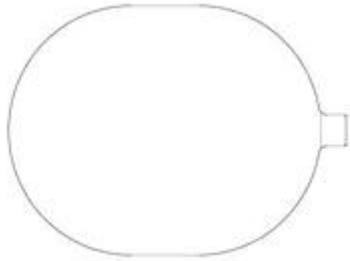
NO.	DESCRIPTION	MATERIAL
1	Body	Bronze
2	O-Ring	EPDM
3	Plunger	Brass
4	Disc	EPDM
5	Long Arm	Brass
6	Thumb Screw	Brass
7	Short Arm	Brass
8	Cotter Pin	Brass



UNITED B...

RS45 4" X 5" Float Ball

Request Information

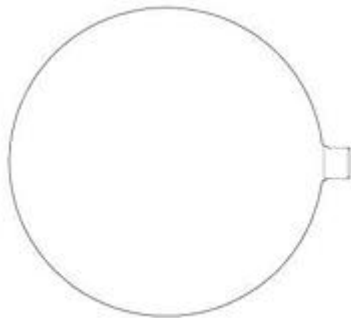


4" X 5" Oblong
1/4" Connection
Copper Construction

Wgt. .45 lbs.

RS50 5" Float Ball

Request Information



5" Diameter
1/4" Connection
Copper Construction

Wgt. .44 lbs.

3059 Float Ball Rod



1/4" Connection
10" Length

Includes (2) 1/4" nuts for attaching rod to ball

Item # Model 34036 1/2", Model 34036 1/2" Long Shank

Gauge Fixture Set with Plastic Hand Wheel , Ball Valve & Ball Check
250 WSP at 406°F Max
400WOG
Rising Stem
Plastic Hand Wheel
Ball Valve for Blow Off
Ball Check to Prevent Leakage, if glass breaks
CRN OCO7135.2C
Contains lead. Not for use in water systems intended for human consumption

A To determine proper glass length, subtract 1 1/8" from center to center dimensions of the installed valves.



[Specifications](#) · [Material List](#)

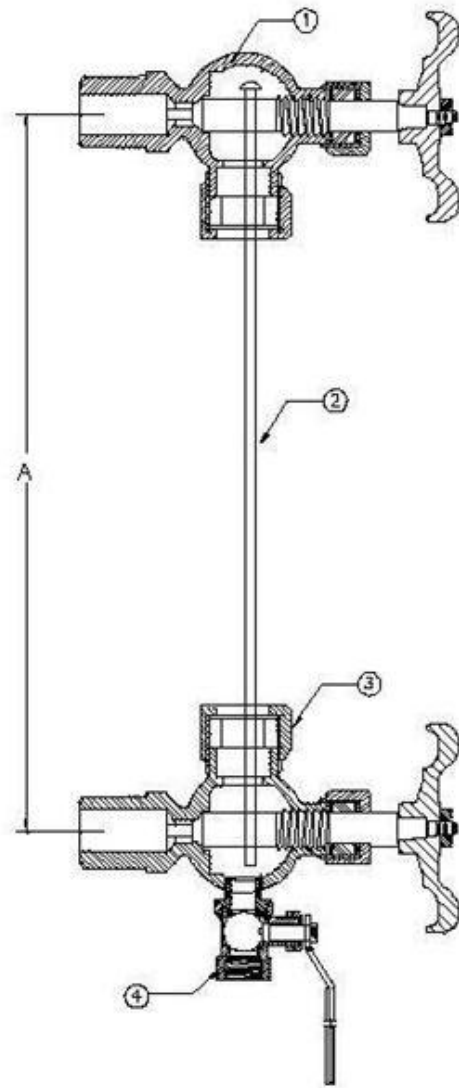
Specifications

Size	1/2 in
Valve Type	Gauge Set
Application	Steam Water

Material List

MATERIAL LIST

NO.	DESCRIPTION	MATERIAL
1	Upper Fixture	See Specs for 905SPW 1/2"
2	Protector Rods	Steel
3	Lower Fixture	See Specs for 946XFS 1/2"
4	Ball Valve	See Specs for 80MXF 1/4"



UNIVERSITY